

TINY F07



a Look Solutions product

Set of Equipment supplied

- 1 **Tiny F07**
- 1 Powercord with push-pull plugs
- 1 control panel with cable
- 1 rechargeable battery-pack 11.1V
- 1 charger
- 1 fluid tank (50 milliliters) with quick connector and air valve
- 1 bottle of fluid (250 milliliter)

When the order includes a radio remote, the following items are supplied additionally:

- 1 receiver with stereo jack
- 1 radio remote
- 1 manual „Radio remote control“

Please check whether all ordered products are supplied.

Contents

1. Procedure of the Tiny-Fogger	4
2. Safety Instructions	5
3. Descriptions of the parts	6
4. Fluid	8
4.1 General	
5. Operating the Tiny F07	8
5.1 Selecting the Location	8
5.2 Mounting the Tiny F07	8
5.3 Starting-up the Tiny F07	9
5.4 Programming of a fixed fogging time	9
5.4.1 Programming the fogging time	9
5.4.2 Delete a fixed fogging time	10
5.5 Status Display of the battery	10
5.6 Wiring of connectors	10
6. The rechargeable Battery	11
6.1 General	11
6.2 Capacity and life time	11
6.3 Operating and Storing	11
6.4 Charging the battery-pack	11
6.5 Fuse	12
6.6 Safety Instructions	12
6.7 Technical Data	12
7. The Charger	13
7.1 General	13
7.2 Operating the Charger	13
7.3 General Notes	13
7.4 Technical Data	13
8. Service and Maintenance	14
8.1 Changing the Vaporizer	14
8.1.1 Removal of the Vaporizer	14
8.1.2 Installation of the Vaporizer	14
8.1.3 Calibrating the Vaporizer	15
8.2 The machine does not work perfectly	16
8.2.1 Status and error display	16
8.2.2 The new vaporizer cannot be calibrated	17
8.3 Care and Maintenance	17
9. Technical Data	18
10. Warranty Conditions	19

1. Procedure of the Tiny F07

The **Tiny F07** is a battery-operated, microprocessor-controlled mini fog generator. It is based (as most fog generators) on the vaporizer principle, i.e. a glycol fluid is evaporated and condenses into fog when leaving the fog nozzle. However, the **Tiny F07** only heats when fog is actually produced.

Due to the Sleep-mode the **Tiny F07** uses only 15 mA in idle status and consequently it may remain connected to the the battery for several hours with no discharging to speak of. Therefore the standby time is approx. 250 hours with a fully charged battery.

When emitting fog a strong current of 5 to 6 A runs with peak levels of 12 to 13 A.

The following sequence produces fog:

- a) Warming up (1 second, without pumping fluid).
- b) The pump runs
- c) Post-run mode (15 seconds to vaporize the fluid remaining in the vaporizer).

In the post-run mode the fogging process can be started via the start button in the lid or via the start button on the cable remote or radio remote.

2. Safety instructions

A fog machine is not a toy!

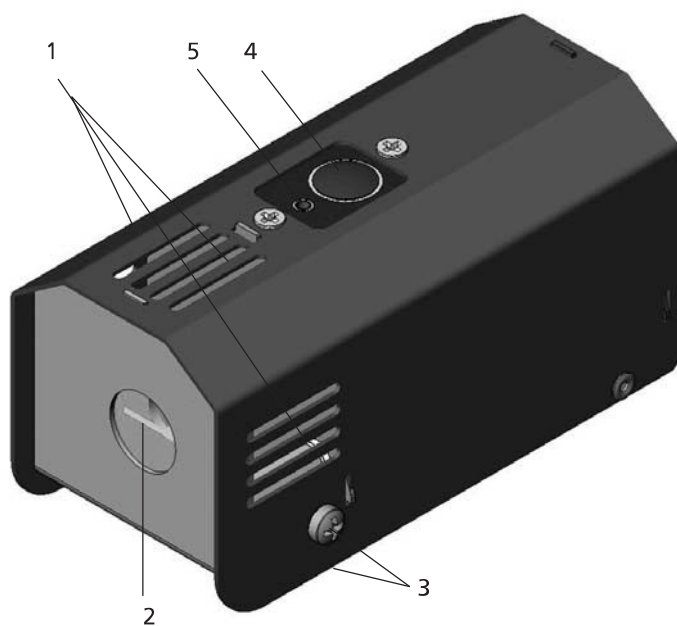
- Very hot steam escapes from the nozzle. Danger of getting burnt.
- Occasionally very hot droplets of fluid may escape when in operation. Thus never aim at persons directly and keep a minimum distance of 3 m to the nozzle.
- Never touch the nozzle when in operation. Danger of getting burnt.
- The location for the machine must be non-flammable, non-combustible and not sensitive to heat. It has to be twice as big as the machine.
- Keep a minimum distance of 60 cm to all flammable, combustible objects and objects sensitive to heat.
- Glycol is alcohol and burns with a slightly bluish, almost invisible flame. Never point the fog at strong sources of ignition like fire or pyrotechnic effects.
- Never open the machine and leave the machine unattended when connected to a power supply.
- The visibility has to be more than 2 m in rooms where people walk around.
- Only use the supplied TINY-FLUID. Different types of fluid do not generate the fog you require and destroy your fog generator.
- Do not swallow the fog fluid. Keep it away from children. In case of eye contact, rinse with a lot of water. Consult a doctor should you have accidentally swallowed some fluid.
- Spilled fluid or splashed fluid droplets can cause slip hazard. Mop up the fluid and dispose of it according to regulations. TINY-FLUID is completely water-soluble and biodegradable.
- Fog may activate smoke detectors.

Artificially-made fog can be produced in many different ways. The method used here to produce fog, with a device which works according to the vaporizer principle, is the most harmless one.

No case has so far been reported in which a sound human being has been harmed because of using our device to produce artificial fog. However, this can only be guaranteed if the professional fog generators are used accordingly, i.e. at the correct vaporization temperatures as well as with the correctly mixed fog fluid.

We, however, recommend: **People with health problems or problems of the respiratory tract or with an inclination for allergies should avoid any contact with artificially-made fog.**

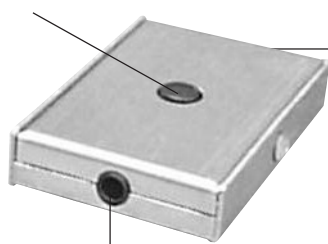
3. Description of the parts



- 1: · Air slots
- 2: · Fog nozzle
- 3: · Screws to unscrew the stainless steel hood

- 4: · Start button
- 5: · Yellow LED

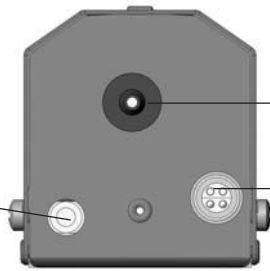
· Start button



· Sockets for control panel and radio remote

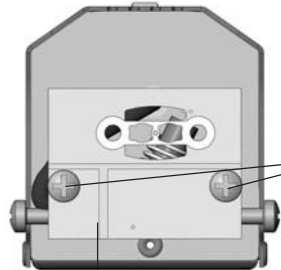
3. Description of the parts

· Socket for connecting the cable of the control panel or the receiver of the radio remote



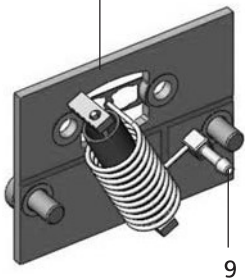
· Connector for fluid tube

· Socket for connecting the battery cable

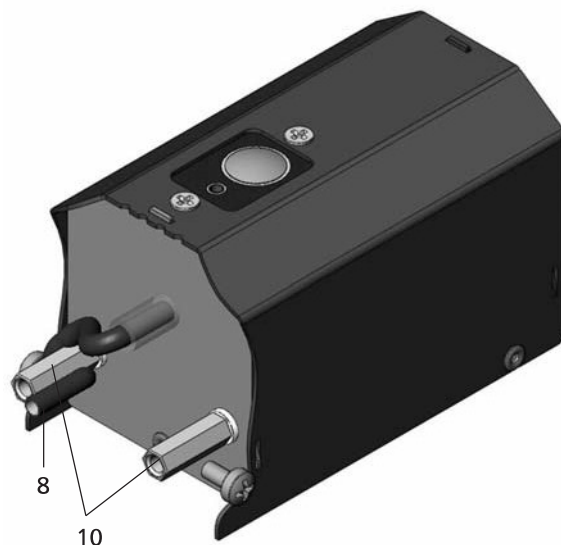


6: · Screws for connecting the vaporizer to the connecting pins

7



9



8

10

7: · Vaporizer
8: · Fluid tube
9: · Tubing spout

10: · Connecting pins for vaporizer

4. Fluid

4.1 General

The **Tiny F07** is built to be used with original Look TINY-FLUID. Use of other liquids will clog the vaporizer and void the warranty.

Please do not use Tiny-fluid if it looks blue or green. This can clog the vaporizer!

Note: If the **Tiny F07** will not be in use for a long period, please empty the fluid tank and pour the fluid back into the original fluid bottle despatched with the unit.

5. Operating the Tiny F07

5.1 Selecting the Location

The location for the **Tiny F07** must

- be dry
- guarantee sufficient air supply
- have sufficient distance (at least 60 cm) from inflammable materials
- have very little vibration
- have an ambient operating temperature between 5°C and 45°C
- have a relative air humidity of less than 80%.

5.2 Mounting the Tiny F07

If the **Tiny F07** is to be built in props or similar, make sure that a fog-free air supply is guaranteed. Too high a fog concentration can condense inside the machine and can result in damages caused by moisture.

When installing the **Tiny F07** make sure that

- no fog is passed back into the fog generator,
- no condensed fluid runs into the apparatus,
- the air vents [1] are not covered or concealed,
- no objects jut out into the fog nozzle [2]. This may destroy the vaporizer.

5. Operating the Tiny F07

5.3 Starting up

- a) Pour the TINY-FLUID into the fluid bottle and firmly lock the bottle. Plug the connecting spout of the fluid tubing into the quick connector of the fluid bottle (audible click).
Check the cleanness of the connecting spout, so that no dirt (fluff etc.) can be sucked in by the pump. Even the smallest impurity immediately leads to clogging of the machine.
- b) Connect the machine and the battery-pack to the delivered cable, using the right sockets.
- c) Press the start button in the lid of the machine [4]. After approx. 1 second the unit generates fog according to the fogging time preset by the factory.
If you would like to control the machine via the cable remote or radio remote, connect the delivered cable for the remote or the receiver of the radio remote to the machine. You can start the fogging process by pressing the start button at the cable remote or radio remote.

Caution: Do not put anything into the fog nozzle. This may destroy the vaporizer and it then has to be changed (see point 8.1)

Sleep-mode: After approx. 1 minute the **Tiny F07** automatically switch to the Sleep-mode. The yellow LED [5] does not light anymore. The machine can be activated at any time by pressing the start button at the lid, the cable remote or the radio remote.

5.4 Programming a fixed fogging time

For some applications it will be useful to program in a fixed fog amount, which can be easily reproduced later.

The shortest fog time is pre-programmed. If a new fog time is programmed, the pre-programmed fog time will be deleted.

5.4.1 Programming the fogging time

- a) Connect the battery-pack and the cable remote to the machine.
- b) Press and hold the start button in the machines lid [4]. If the requested fogging time is reached, press the start button at the cable remote shortly to confirm the fogging period. Now the fogging time is saved and the start button in the machines lid [4] can be released.

5. Operating the Tiny F07

The microprocessor save the fogging time and this programmed fogging time now can be recalled by **pressing the start button on the cable remote or at the transmitter of the radio remote** (option) **shortly** as long as no new fogging period has been programmed in.

The programmed fogging time cannot be recalled by pressing the start button in the machines lid [4]. If the start button in the lid is pressed, the **Tiny F07** will produce fog as long as the button is hold down, no matter whether a fogging time has been programmed in.

5.4.2 Delete a programmed fogging time

The programmed fogging time can be deleted in two ways:

- 1) Press the start button in the machines lid [4] shortly and press the start button on the cable remote for confirmation. The programmed fogging time is now deleted.
- 2) Disconnect the machine from the battery-pack, press and hold the start button on the cable remote and connect the machine to the battery-pack. The programmed fogging time is now deleted.

The **Tiny F07** now produces fog as long as the start button in the machines lid [4], on the cable remote or at the transmitter of the radio remote will be pressed and hold.

5.5 Battery Status Display

The yellow LED [5] at the **Tiny F07** indicates (among other things (see point 8.2)) how strong/efficient the battery still is and/or when it must be recharged.

- 1) LED flashes slowly:
Battery capacity of 15% – 100%, the battery is fully operational
- 2) LED flashes fast:
Battery capacity below 15% – the battery should be changed and/or charged.
- 3) LED lights up permanently:
the battery is flat

5.6 Wiring of Connectors

Mini-Stereo jack plug:

Sleeve = Ground, Ring = switch on/off, Tip = 12 V DC (+) output

6. The Battery

6.1 General

The supplied battery is a maintenance-free 11.1V Lithium-Polymer-battery. It can be used in every position.

The connection to the **Tiny F07** is established by a powercord with a push-pull-plug.

The connection to the charger is established by a low volt plug at the charger.

6.2 Capacity and Lifetime

The battery has a capacity of 1.5 Ah and is supplied in a 50% charged status.

Charge the battery before using it the first time with the supplied charger. Please note the operating instructions of the charger (see point 7.1).

A fully-charged battery can generate more than 100 fog emissions of 4-5 seconds. The permanent fogging time amounts to 10 minutes.

The battery will lose its capacity with increasing working time and will be wear out after approximately two or three years.

6.3 Operating and Storing

Lithium-Polymer-batteries are modern energy suppliers with huge capacity, small dimensions and light weight. Due to its high energy seal and the used materials these batteries are known as not completely harmless. Therefore please read the safety instructions carefully!

Optimal storage of the fully loaded battery at 15°C and an air humidity of 45 - 85%. If the battery should not be in use for a longer period it should be recharged regularly (approx. after six months).

6.4 Charging the Battery-pack

For charging the battery please use the supplied automatic charger. A discharged battery can be charged within 1.5 hours.

As long as the battery charges, the yellow charge-LED will light. If the battery is fully charged, the yellow LED expires.

Disconnect the battery-pack from the **Tiny F07** after each use and recharge it, at the latest if the yellow control-LED in the machines lid [5] flashes fast.

Avoid completely discharge (control-LED does not shine anymore) because this will cause irreversible damage to the battery-pack.

6. The Battery

Lithium-Polymer-batteries must only be recharged and stored on fireproofed and not inflammable subsoils! The battery must not be recharged unsupervised.

The ambient operating temperature while charging should be between 10°C and 40°C.

6.5 Fuse

To avoid too high emitting current, the battery-pack is equipped with a 7.5 A Miniblade-fuse. This fuse has to be replaced if once released.

6.6 Safety Regulations

- Keep away from children
- Do not heat up over 60°C (for example by sun exposure) or expose to fire
- Keep away from wet
- Do not short-circuit
- Do not dismantle or deform
- Do not use defektive or deformed battery-packs

Batteries can leak if not used correctly or be damaged.

In some extreme cases danger of:

- Fire
- Explosion
- Smoke- and gas exposure

In this case, please note:

- If there is no suitable extinguishing way, let the battery burn down and avoid breathing the absorbs
- To extinguish the fire use sand or a fire extinguisher filled with powder
- **Never use water to put out the fire. Danger of explosion!**
- If the electrolyte comes in contact with skin or eyes, immediately rinse with water or consult a doctor.

6.7 Technical Data

Model	Lithium-Polymer-battery
Output voltage	11.1 V
Capacity	1500 mAh
Temperature range	10°C to 40°C
Fuse	7.5 A Miniblade, Art. No. 40177
Dimensions	10.5 x 4.5 x 3.0 cm
Weight	160 g

7. The Charger

7.1 General

The supplied charger is an automatic charger for Lithium-Polymer-batteries. Due to the modern technic and the changeable plugs/adaptors it can be used worldwide.

7.2 Operating

- Connect the charger to a power socket (100-240 V~/50Hz–60Hz).
The green Power-LED lights when the charger gets power.
- Connect the output line of the charger with the battery-pack to be charged.
The yellow Charge-LED lights as long as the battery-pack is not fully charged.
If the battery-pack is fully charged, the yellow Charge-LED will expire.
- Disconnect charger and battery-pack.

7.3 General Notes

- If the yellow Charge-LED does not light up after connecting it to the battery, this may have the following reasons:
 - The battery-pack is already fully charged
 - The plug of the charger is not correctly/fully connected to the socket at the battery-pack
 - The charger does not get power (green LED does not light)
- If the yellow Charge-LED does not expire even after 1.5 hours, the battery-pack might be damaged and should not be used anymore.
- Cover the charger against heat and wet.
- Use the charger exclusively for charging the **Tiny F07** and **Tiny C07** battery.

7.3 Technical Data

Model	Automatic charger for Lithium-Polymer-batteries
Input voltage	100 - 240 VAC, 50/60 Hz
Capacity	19.5 VA
Output voltage	11.1 VDC / 700 mA
Charging end voltage	12.6 V
Display	green Power-LED: Power yellow Charge-LED: Battery in charge
Dimensions	11.8 x 6.3 x 5.0 cm

Adaptors are available for Europe, UK, US and Australia.

8. Service and Maintenance

8.1 Changing the Vaporizer

The micro vaporizer especially developed for the **Tiny F07** has a limited working life. Depending on application duration, the fogging output will reduce after a while and the vaporizer has to be changed.

8.1.1 Removal of the Vaporizer

- a) Separate the **Tiny F07** from the battery-pack
- b) Unscrew the two screws [3] with a suitable screwdriver to release the stainless steel hood
- c) Remove the stainless steel hood
- d) Unscrew the two screws [6] at the vaporizer with a suitable screwdriver
- e) Slide out the vaporizer [7] forwards
- f) Remove the black fluid tube [8] from tubing spout [9] of the vaporizer. In case the tubing does not come off, you can pull it down with a pair of pliers or a similar tool.
- g) Clean the interior of the unit with an absorbant, fluff-free cloth.

8.1.2 Installation of the Vaporizer

- a) Plug the black fluid tube [8] onto tubing spout [9] of the new vaporizer
- b) Fix the new vaporizer to the connecting pins [10] with the two screws [6]
- c) Check the connections and make sure that the fluid tubing is not twisted or bent
- d) Fix the stainless steel hood with the two screws [3] at the machines cover. Ensure that the hood engage into the corresponding guide groove of the lid part.

8. Service and Maintenance

8.1.3 Calibrating the Vaporizer

Since all vaporizers have different electrical qualities, the **Tiny F07** must be calibrated after every exchange of the vaporizer.

IMPORTANT: During the calibration process the vaporizer temperature must be at 20°C. Never start fogging before the calibrating process. Too cold or too warm units must first adapt to the room temperature (20°C).

a) Press the start button in the machines lid [4].

b) Connect the battery-pack to the machine simultaneously.

The calibrating process now starts automatically. The yellow LED [5] flashes six times with a short pause after the second and the fourth flash to confirm the calibration.



c) The calibration process is now complete.

8. Service and Maintenance

8.2 The machine does not work perfectly

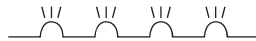
8.2.1 There will be no fog, if...

- the battery is discharged (yellow charge indicator (LED) [5] lights up permanently, the pump automatically cuts off) => charge the battery
- the fluid tank or the fluid tubing is empty or the connecting spout of the fluid tubing is not correctly plugged into the quick connector on the fluid tank => refill the fluid tank, check to see that the tubing plug is properly fitted to the quick connector
- the vaporizer is clogged or broken => change the vaporizer (see point 8.1)

8.2.2 Status and error display

The yellow LED [5]...

- flashes once



Battery status display: if the LED flashes slowly, the battery is well charged, if the LED flashes quickly the battery has to be recharged.

- flashes twice in a row



Vaporizer is broken: change the vaporizer as described in point 8.1.

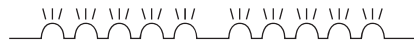
Important: The new vaporizer must be calibrated!

- flashes three or four times in a row



Pump error: Please call your local dealer.

- flashes five times in a row



Vaporizer cannot be calibrated: Try once again to calibrate the vaporizer as explained in point 8.1. If this should not help, the vaporizer is broken and cannot be used.

- lights permanently



The battery is completely discharged: Disconnect the **Tiny F07** from the battery-pack and recharge the battery.

8. Service and Maintenance

8.2.3 The new vaporizer cannot be calibrated (no confirmation of the process by the LED)

- a) Disconnect the machine from the battery-pack.
- b) Remove the new vaporizer as explained in point 8.1.1.
- c) Connect the **Tiny F07** to the battery-pack and press the start button in the machines lid [4] once.
- d) Disconnect the **Tiny F07** from the battery-pack.
- e) Install the new vaporizer again and calibrate it as explained in point 8.1.3.

8.3 Care and Maintenance

To ensure perfect performance of the **Tiny F07**, you should consider the following notes:

- Make sure the fluid bottle as well as the connecting spout and the quick connector are clean and free from small bits of dirt.
- Clean the unit from time to time, especially if you use it in a built-in state/condition. Unscrew the unit with a suitable screwdriver (No. 1 Phillips) and wipe it out carefully using a dry, fluff-free cloth.
- Should the vaporizer become clogged, please change it in the way as described in section 8.1.
- If the **Tiny F07** isn't in use for a longer time, please take care that the fluid tube is emptied. It could be that some fluid drops come out of the nozzle and the surrounding gets wet and greasy.
- The battery should be charged before storing.

9. Technical Data

Procedure	Vaporizing fog generator
Power requirement	70 Watt
Voltage	12 V battery
Warm up time	< 1 sec
Fluid tank capacity	50 ml
Fluid consumption	2.3 ml/min. at continuous output
Fogging time	programmable
Continuous output with battery	10 min.
Temperature control	Microprocessor
Control	cable remote radio remote (option)
Dimensions (L x W x H)	10.6 x 4.9 x 5.0 cm
Weight TINY	approx. 310 g
Manufactured for	Look Solutions - Fog machines made in Germany

10. Warranty conditions

For the miniature fog machine **Tiny F07 Look'** guarantee is:

1. Free of charge, subject to the following conditions (No. 2 - 6) we will repair any defect or fault in the unit if it is caused by a proven factory fault and has been advised immediately after appearance and within 24 month of delivery to the end user. Insignificant deviations of the regular production quality does not guarantee replacement rights, nor do faults or defects caused by water, wrong fog fluid, by generally abnormal environment conditions or Force Majeure.
2. Guarantee Service will be done in the following way: Faulty parts will be repaired or replaced (our choice) with correct parts. Faulty units have to be brought to us or our service centres or to be sent to us or our service centres at customer's expense. The invoice and/or receipt showing the purchase date and the serial number has to come with the faulty unit, otherwise this will not be guarantee service. Replaced parts become our property.
3. The micro vaporizer is a wearing part with limited lifetime. No warranty can be given on this part.
4. The customer loses all rights for guarantee services, if any repairs or adjustments are done to the units by unauthorized persons and/or if spare parts are used which are not approved by us. The right of guarantee service is also lost if fluids other than the original „TINY-FOGGER FLUID“ have been used or if units are sent to us with full fluid bottles. Also non compliance with the instructions in this manual or mistakes by incorrect handling/ treating of the machine will lead to a loss of guarantee and also any faults and damages caused by undue force.
5. Any freight costs arising in connection with the guarantee services have to be born by the customer.
6. Guarantee services do not cause an extension of the guarantee time or the start of a new guarantee time. The warranty for replaced parts ends with the guarantee time of the whole unit.
7. If a defect/fault can not be repaired by us in a satisfactory time, we will, within 6 months after sale of the unit, on choice of the customer, either:
 - replace the whole unit for free or
 - refund the lesser value or
 - take back the whole unit and refund the purchase price, but not more than the usual market price at the time of the refund.
8. Further claims, especially for damages, losses etc. outside the unit are excluded.

Other guarantee regulations may be valid outside Germany. Please check with your dealer!

If you should send the unit for service, do not forget to remove any liquid from the fluid bottle.

a **Look Solutions** product